

Cooling connection 1" - 1 1/4"

- Bypass for free-cooling
- Check valve
- Insulation



Application

Prefabricated bypass solution that can be used to utilize free cooling.

Construction

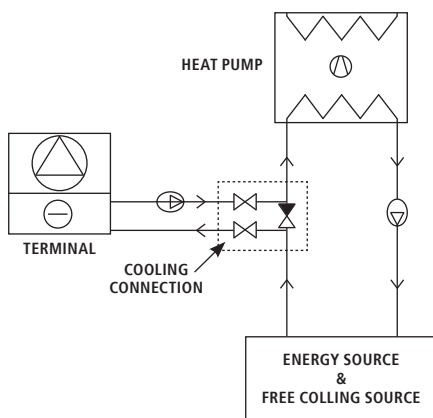
The prefabricated solution consists of a check valve in the main flow direction and two shut-off valves with strainers in the ports. The shut-off valves are equipped with caps. The T-pipes are equipped with 1 or 1 1/4" male threaded connections and the two shut-off valves have 3/4" male threaded connections.

Marking

DN, PN and flow direction arrow.

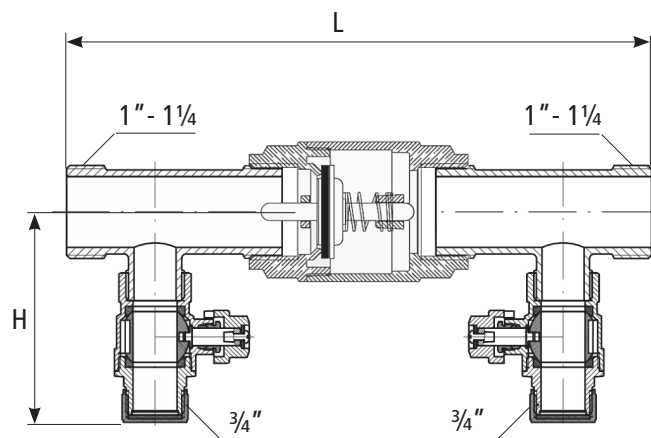
Maintenance

The shut-off (ball valves) must be maneuvered two to three times a year. See further information on Impels website.



Technical data

Body and T-pipes	Brass CW617N
Ball seat	PTFE
Stem gasket	PTFE
Cap seal (gasket)	NBR
Check valve membrane	NBR
Spring	Stainless Steel AISI 302
Insulation	EPS (Neopor 30)
Maximum operating pressure:	16 bar
Minimum operating temperature:	-20°C
Maximum operating temperature:	100°C



Item number	Description	Connection thread	Length L	Centrum height H	Insulation included	Wheight (kg per pice)
07521100025	Cooling connection 1" M, check valve	2 x 1" M, 2 x 3/4" M	200	107	Yes	0.90
07521100032	Cooling connection 1 1/4" M, check valve	2 x 1 1/4" M, 2 x 3/4" M	251	96	Yes	1.25

All dimensions in millimeters

Subject to technical changes and corrections without notice